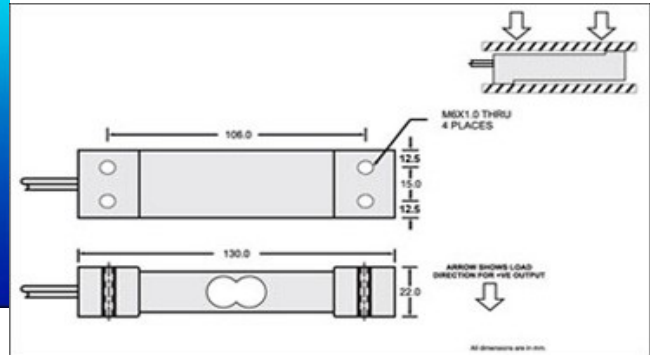
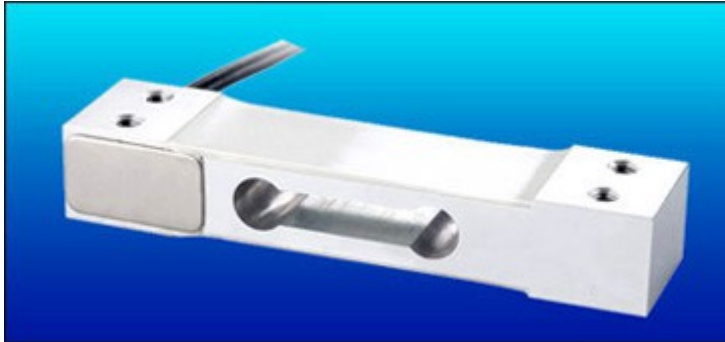


**Description :**

This is an economical Load Cell meant for off-centre loading applications. It is used in bench, counting and postal Scales. It is strain gauge based Cell constructed from Aluminum Alloy for better sensitivity.



Dimension (mm) : Size: 130x30x22(mm) Thread hole: M6

**Wiring Scheme**

Red + (Input +) White - (Output -) Black - (Input -) Green + (Output +)

Performance Specification	
Standard Capacities	40, 60, 80, 100, 120, 200 kgf.
Excitation Voltage	10 VDC- Maximum 15 VDC
Nominal Output	2.0 mV/ V
Non - Linearity	< ±0.025% FSO
Hysteresis	< ±0.02% FSO
Non-Repeatability	< ±0.01% FSO
Creep (30 minutes)	< ±0.03% FSO
Zero Balance	±1.0% FSO
Input Resistance	400 ± 15 Ohms
Output Resistance	350 ± 5 Ohms
Insulation Resistance (50 VDC)	> 1000 Mega Ohms
Cable Length (4 Core Screened)	500 mm. Minimum
Safe Overload of Rated Capacity	150%
Ultimate Overload of Rated Capacity	200%
Temp. Compensated Range	0-60 °C
Temperature Effect on Output	< 0.0015% FSO/ °C
Temperature Effect on Zero	< 0.0020% FSO/ °C
Platter Size	300mm X 300mm
Eccentric Load Effect	< 0.02% of FSO at 1/3 rated load placed within the specified sized platter
Deflection	< 0.5 mm at FSO
Tightening Torque	1.5 m.kg.
Finish & Construction	Aluminum Alloy
Environmental Protection Class	IP65